



# 6.2-inch HVGA Color TFT

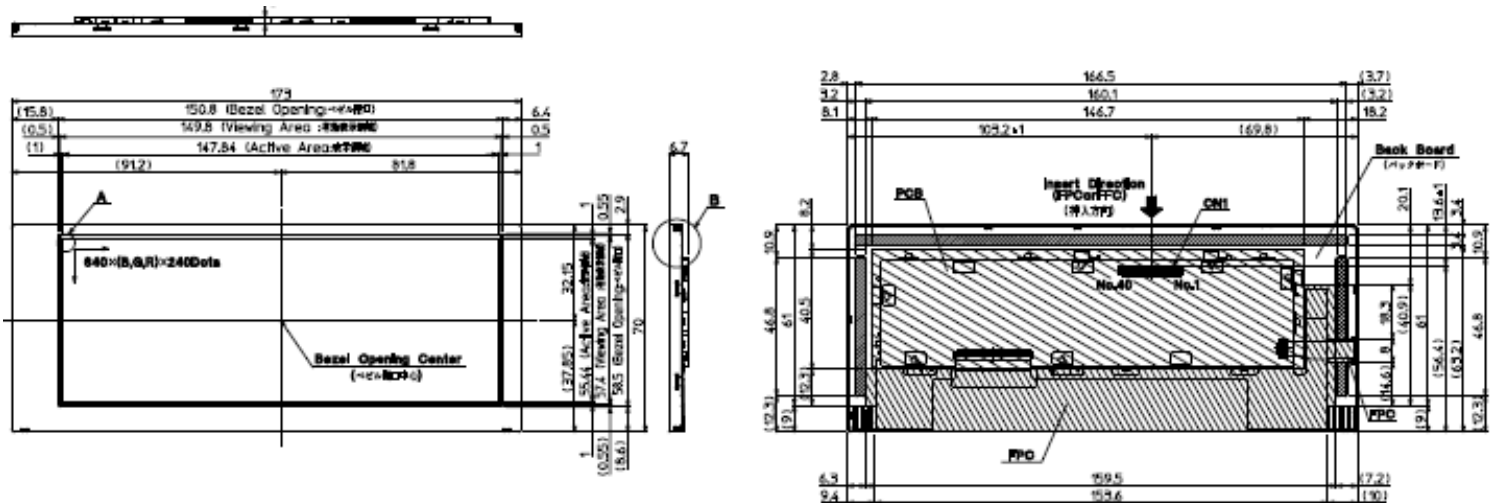
## TCG062HVLDA-G20



Kyocera's 6.2-inch diagonal TFT LCD module with HVGA resolution is a unique display for instrumentation applications. It offers a LED backlight with lifetime of 40K hours, a luminance of 300 cd/m<sup>2</sup> and a 500:1 contrast ratio. A wide viewing angle measuring -80~80° Vertical and +/- 80° Horizontal (at CR ≥ 5). Standard RGB interface and wide operating temperature range.

Item	Specification
Resolution / Pixel Configuration	640 x 240 / RGB Stripe
Outline Dimensions (W x H x D mm)	173 x 70 x 6.7
Active Area (W x H mm)	147.84 x55.44
Backlight Type /	White LED
Backlight Lifetime ( hours)	40,000 hrs (typ.)
Luminance (Cd/m2)	300 cd/m <sup>2</sup>
Contrast Ratio ( CR>10)	500:1
Electrical Interface	18-bits RGB
Viewing Angle	H: +/- 80° ; V: -80~80° (CR ≥ 5)
Temperature Range	Operating: -20 ~ 70° C / Storage: -30 ~ 80° C
Special Feature(s)	LED driver built-in

Note: Specifications are subject to change without notice.



Ask us about the Value-Added Program  
 Let us attach your chosen touch screen, connector or provide you  
 with custom cables to meet your needs

For complete technical specifications, application notes or  
 inventory information call 734-416-8500 or visit our web-  
 site at [www.kyocera-display.com](http://www.kyocera-display.com)